

**Designed for use with all condenser microphones at installations where there is no current phantom power supply available.**



Specifications

- 48V dual channel phantom power supply.
- Switchable mains input supply to facilitate use on 110VAC / 230VAC mains supplies.
- Red led power indicator.
- Standard XLR microphone Input / Output connectors.
- Dimensions W165mm H45mm D110mm.
- Weight 0.82Kgs

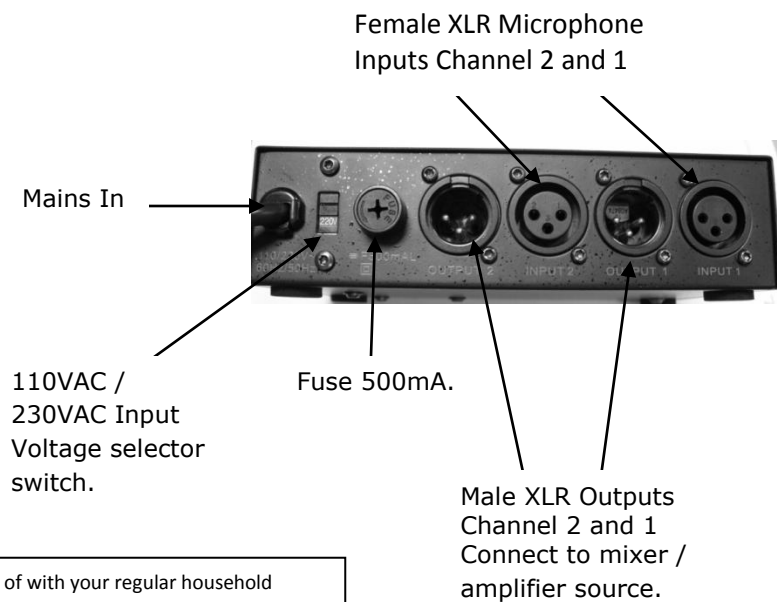
Front panel Connections:

Power On/Off switch.



**Warning** This is a mains operated device. Do not operate in wet or damp conditions. When cleaning the unit remove the plug from the mains socket.

Rear panel Connections:



Do not dispose of with your regular household waste. Observe local laws and regulations for waste disposal.

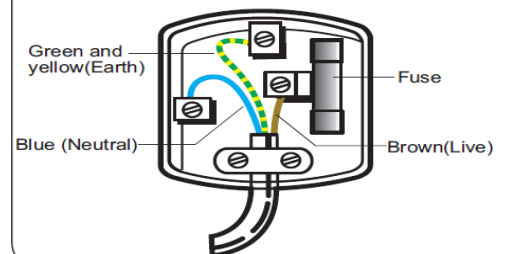
3-Core plug

**WARNING:** This appliance must be earthed.

The wire coloured green and yellow must be connected to the terminal marked with the letter E, or by the earth symbol (⏚) or coloured green or green and yellow.

The wire coloured blue must be connected to the terminal marked with the letter N or coloured black.

The wire coloured brown must be connected to the terminal marked with the letter L or coloured red.



Fuse replacement 3 Amp

