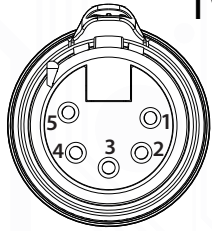


Switch and LED control

S140dante
192



XLR 5



S140

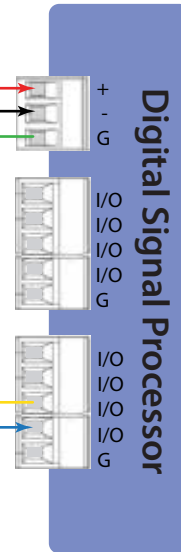
DSP, Control System and/or Logic box Wiring

XLR 5 Pinout: Audio Input

Phase +	5
Phase -	3
Ground	1

XLR 5 Pinout : Switch, LED

LED Contact	2
Switch Out	4



CDT 100 MK3 Wiring

XLR 5 Pinout: Audio Input

Pinout same as above above drawing

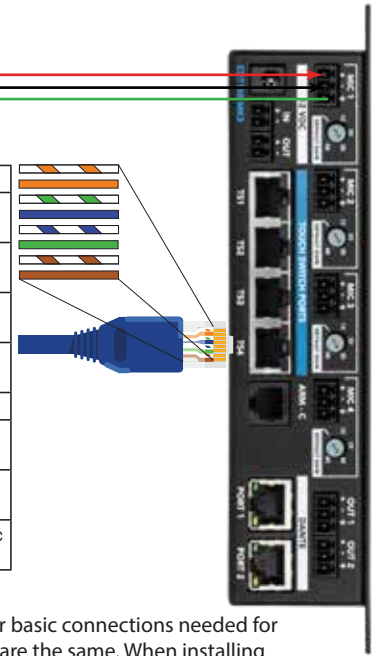
XLR 5 Pinout: Switch, LED

LED Contact	2
Switch Out	4



A diode is recommended on pin 4 to protect CDT 100 Mk3 against overload.

TS PINOUT DIAGRAM	
Pin 1	Logic Input (3.3V logic high) to detect the Reed switch on Clockaudio CRM series microphones
Pin 2	Negative (-) lead for RED LEDs on Clockaudio devices
Pin 3	Common Ground for LED, Switch operation, & Reed switch ground
Pin 4	12V (+) supply for LED and Switch operation on Clockaudio control devices
Pin 5	Logic Input (3.3V logic high)
Pin 6	Negative (-) lead for GREEN LEDs on Clockaudio devices
Pin 7	Negative (-) lead for BLUE LEDs on Clockaudio devices
Pin 8	Logic Input (3.3V logic high) for user defined logic Input



Disclaimer: These drawings will work with Clockaudio products as suggested, they are recommendations for basic connections needed for DSP, control systems and/or GPIO boxes. Please note that not all GPIO functionalities across different brands are the same. When installing any Clockaudio product with a third party device, procedures must be followed in accordance to third party manufacturer specifications.