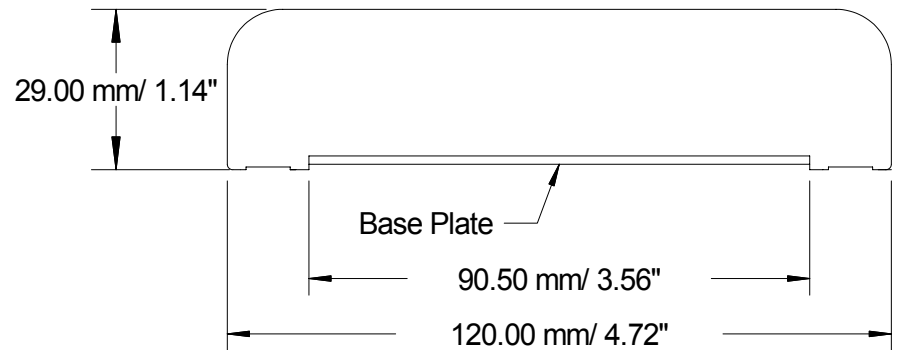
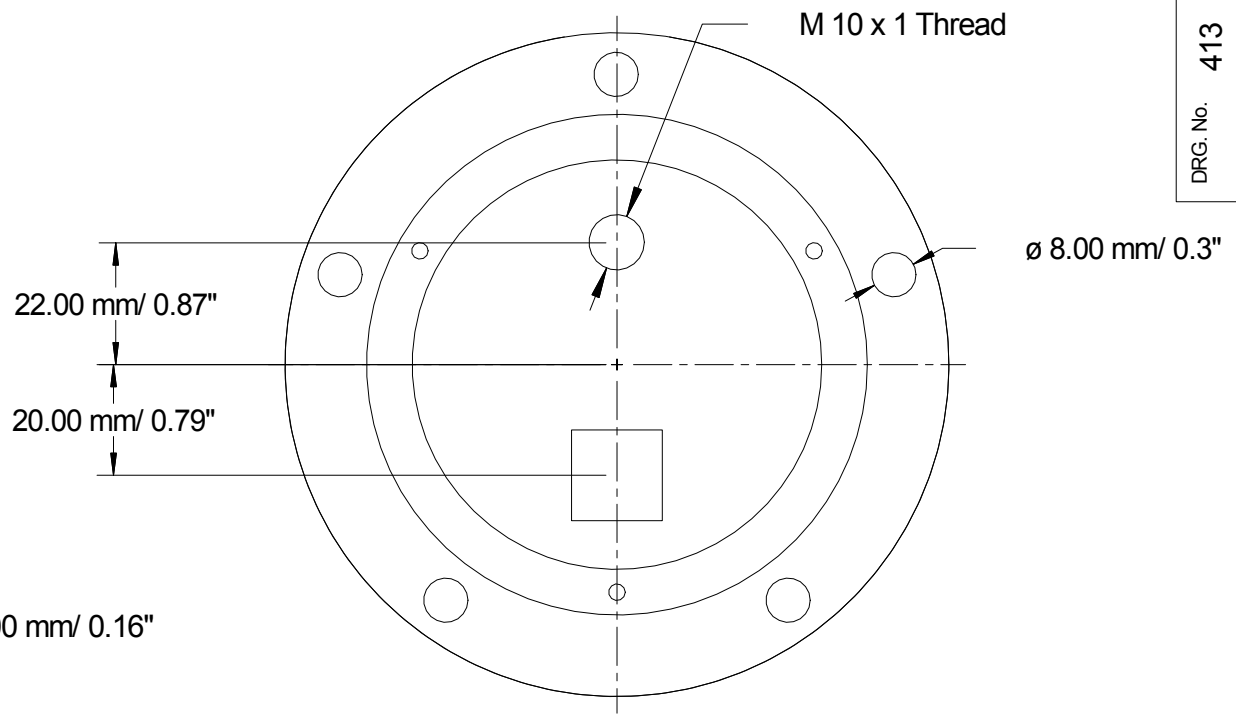
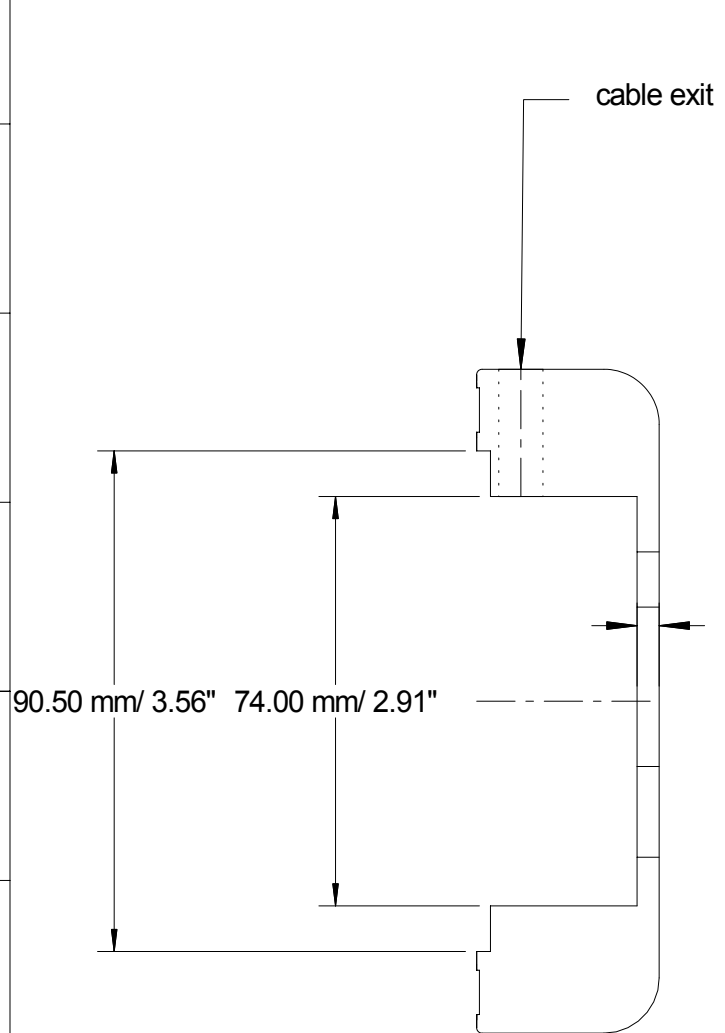


DRG. No. 413



ISSUE	DESCRIPTION	APP'D	DATE	TITLE	DRAWN	TRACED	CHECKED	APPROVED	DATE
1	Microphone base with switch		25-05		S 120S	CB			
				DRAWING No.		413			

CLOCKAUDIO